

DUE DATE \_\_\_\_\_

NAME \_\_\_\_\_

## ENGR/DRAFT 105 Assignment #4, Multiview Drawings, Hidden Lines, and Center Lines

(Note: Draw a mechanical drawing for # 1 and # 2; use freehand sketching for # 3)

- 1) Do exercise 5.5 (mechanical drawing; show hidden lines, but **don't** show center lines)
- 2) Do exercise 5.6 (mechanical drawing; show hidden lines **and** center lines)
- 3) Do "Incomplete Multi-view Drawings" (freehand sketching)

(Note: Draw a mechanical drawing for # 4 and Extra Credit)

- 4) Draw a Multiview mechanical drawing of the L-shaped wooden object with the hole on plain 8.5" x 11" paper (ignore imperfections in the object; be sure to include hidden lines and center lines).

Extra Credit: Draw a Multiview mechanical drawing of the complex wooden object, known as "The Cat" on a separate sheet of plain 11" x 17" paper (ignore imperfections in the object; be sure to include hidden lines).

**Note: Be sure to use masking or drafting tape. NEVER use scotch taper on the drafting tables – it is next to impossible to remove, and may damage the table in the process.**

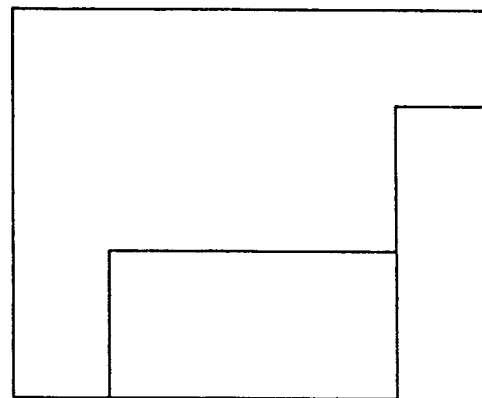
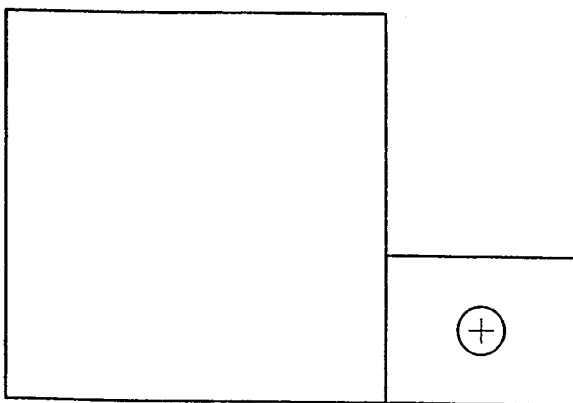
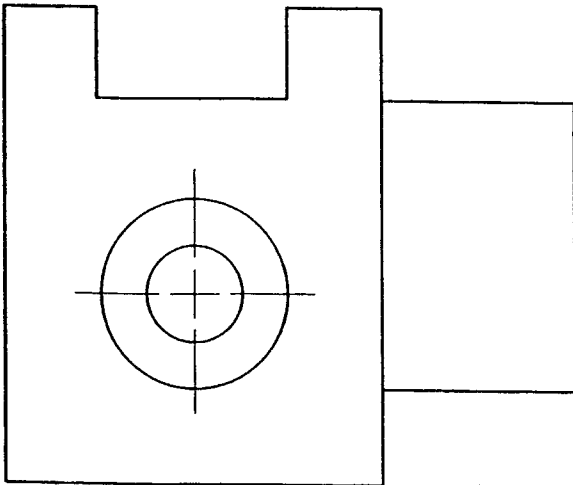
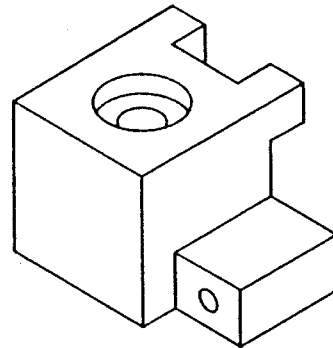
- **Staple this sheet to the front of your drawings in the correct order.**
- **Write your name at the top of the page.**
- **Write your name on each drawing.**
- **Please staple the 11" x 17" landscape sheet(s) face up, and then fold back the right side to make the packet 8.5" x 11".**



# Worksheet 5.5

Practice with hidden lines

Add hidden lines to the drawing of the part below. Use good line quality and proper hidden line technique.



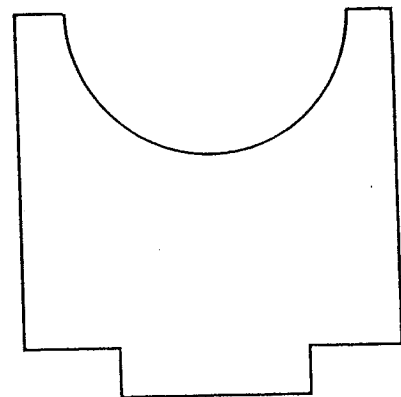
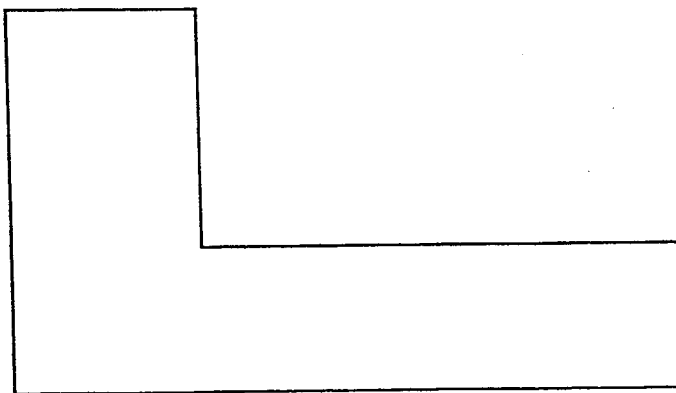
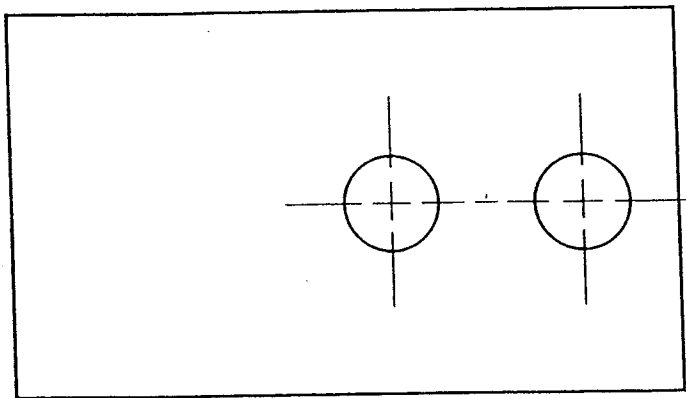
Make copies of these pages to use for additional practice.



# Worksheet 5.6

Practice with centerlines

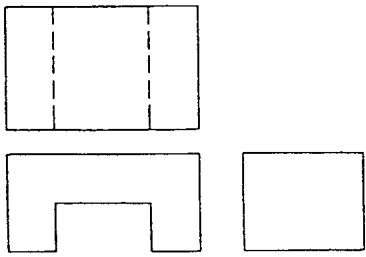
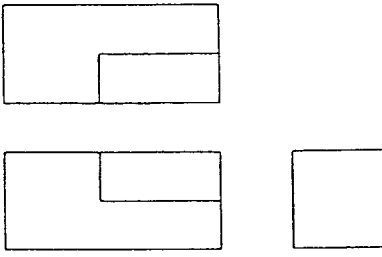
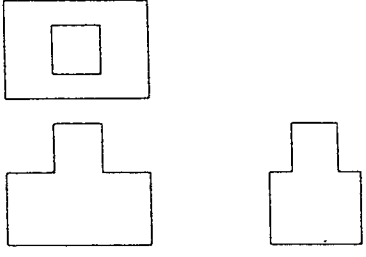
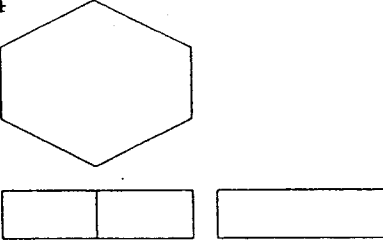
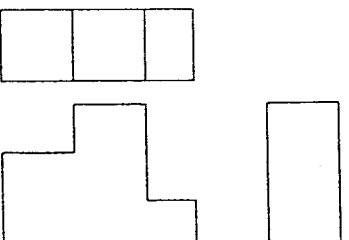
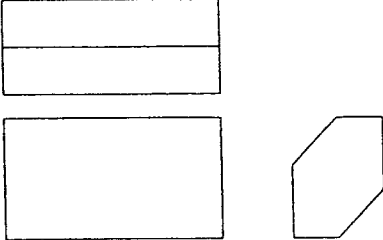
Lines are missing from the views shown below. Add the missing lines, including centerlines. Use good centerline practices.



Make copies of these pages to use for additional practice.

# Incomplete Multi-view Drawings

Using sketching, complete the missing views in each of the following multi-view drawings. You may NOT assume that any given view is complete. Include hidden and center lines.

<p>1</p> 	<p>2</p> 	<p>3</p> 
<p>4</p> 	<p>5</p> 	<p>6</p> 
<p>7</p> 