

DUE DATE _____

NAME _____

ENGR/DRAFT 105 Assignment #22
AutoCAD: Sectional Views – Chapter 9

Note: This entire assignment is Extra Credit (10 Points Max per Drawing; 20 Points Max for the Assignment):

- Hard copy of Lesson 9 Tutorial. (Include dimensions and notes – my file would be named NA_L9_F04.dwg.)
- Hard copy of drawing 9_1 (Include dimensions and notes – my file would be named NA_E9_1_F04.dwg.)

Note: Using an appropriate scale, fit the drawings on either an A or B size sheet.

Be sure to include the following (in the title block section) on each AutoCAD drawing:

DRAWING TITLE (e.g., END PLATE)

NAME (YOUR NAME)

FILENAME.dwg (e.g., NA_E9_1_F04.dwg)

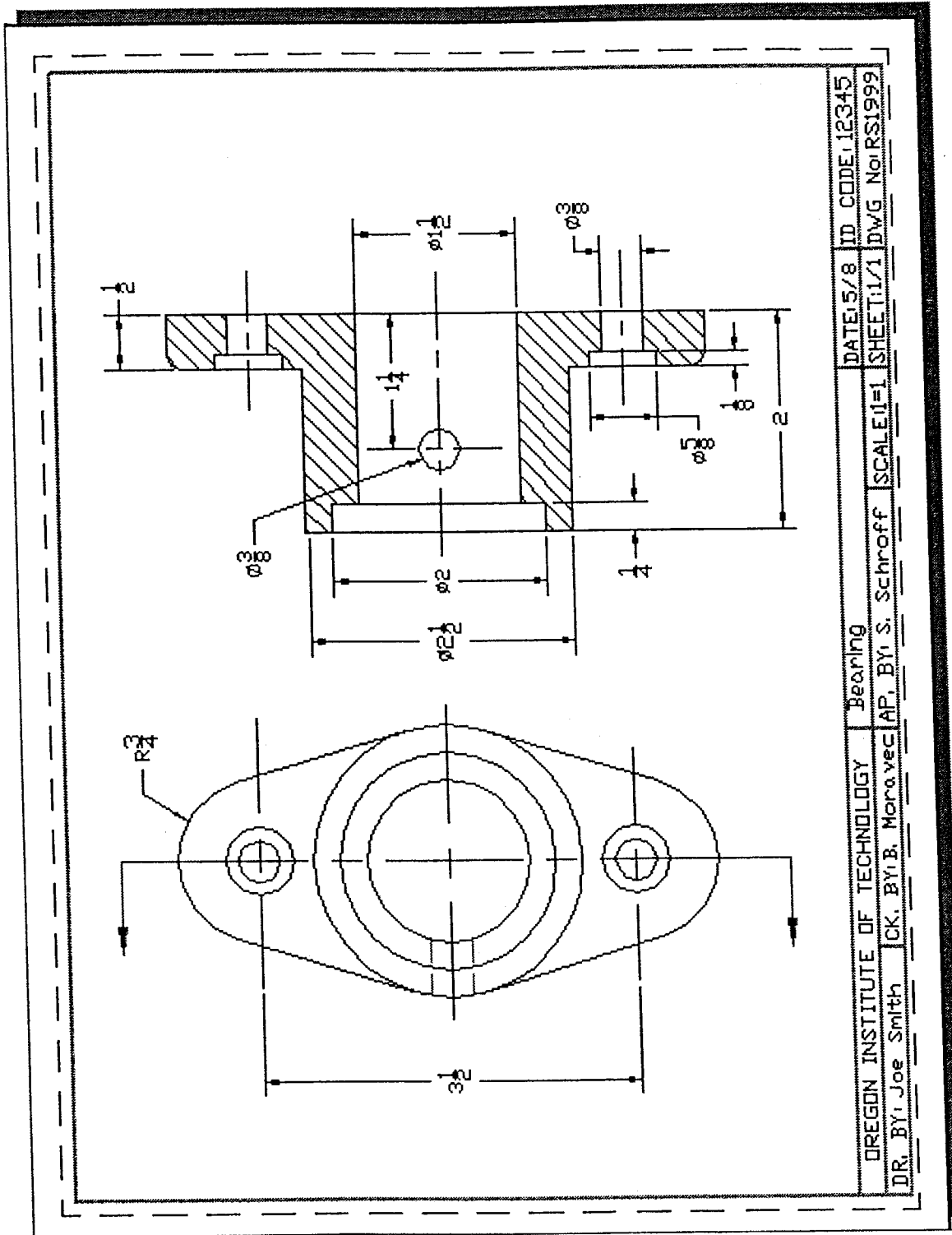
Date (e.g., 10/23/04)

Scale (e.g., 1:1)

Staple this sheet to the front of your drawings in the correct order. Write your name at the top of the page. Please staple any 17” x 11” landscape sheet(s) face up, and then fold back the right side to make the packet 8.5” x 11”.

E.C.

➤ On your own, create a drawing layout and print out the drawing.



Exercises:

1.

