

DUE DATE \_\_\_\_\_

NAME \_\_\_\_\_

ENGR/DRAFT 105 Assignment #21  
AutoCAD: Auxiliary Views and Editing with Grips – Chapter 8

- Hard copy of Lesson 8 Tutorial (Include dimensions and notes – my file would be named NA\_L8\_F04.dwg)

Note: For the other drawings, Exercises 8\_1 and 8\_2, you will need **all three standard views** (Front, Top, Right Side) in addition to an auxiliary view showing the true size of the special (circular) features.

Note: Using a 1:1 (Full) scale, fit the drawings on either an A or B size sheet.

- Hard copy of drawing 8\_1 (Include dimensions and notes – my file would be named NA\_E8\_1\_F04.dwg)

**Extra Credit (5 Points Max – The other drawings are worth 10 points):**

- Hard copy of drawing 8\_2 (Note that the drawing in your packet is different than Exercise 8\_2 in the textbook. Include dimensions and notes – my file would be named NA\_E8\_2\_F04.dwg)

**Be sure to include the following (in the title block section) on each AutoCAD drawing:**

DRAWING TITLE (e.g., ANGLE BRACKET)

NAME (YOUR NAME)

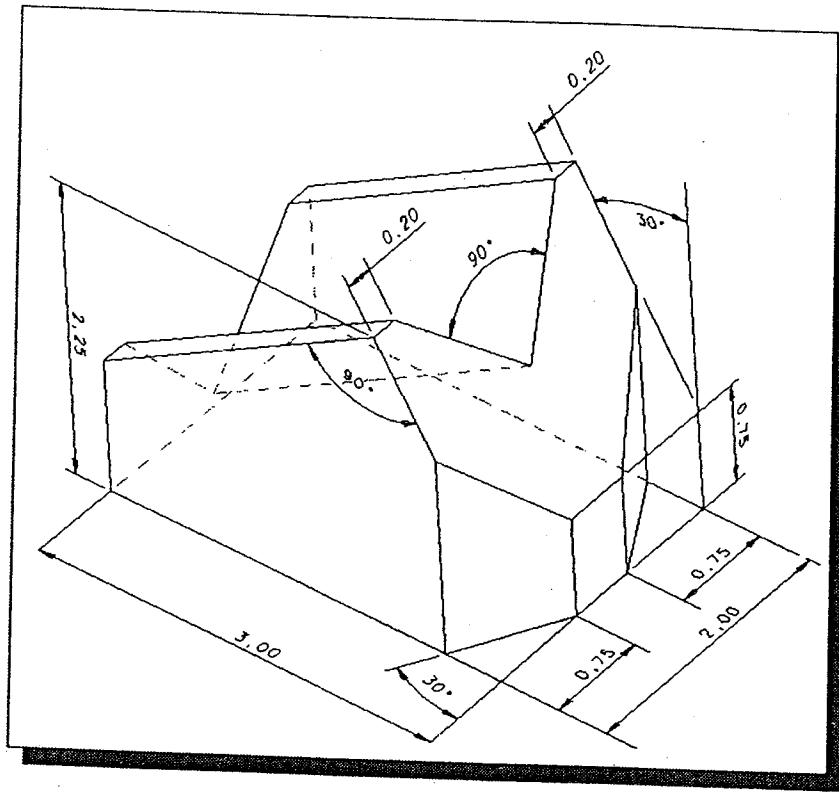
FILENAME.dwg (e.g., NA\_E8\_2\_F04.dwg)

Date (e.g., 10/23/04)

Scale (e.g., 1:1)

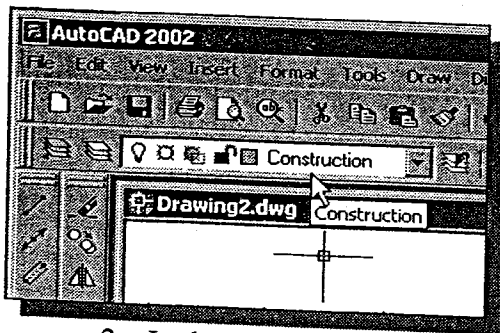
**Staple this sheet to the front of your drawings in the correct order. Write your name at the top of the page. Please staple any 17” x 11” landscape sheet(s) face up, and then fold back the right side to make the packet 8.5” x 11”.**

## The V-Block example

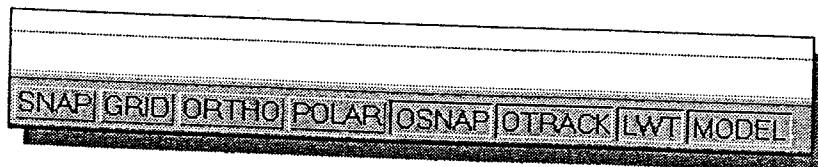


- Before going through the tutorial, make a rough sketch of a multiview drawing of the part. How many 2D views will be necessary to fully describe the part? Based on your knowledge of AutoCAD® 2002 so far, how would you arrange and construct these 2D views? Take a few minutes to consider these questions and do preliminary planning by sketching on a piece of paper. You are also encouraged to construct the orthographic views on your own prior to going through the tutorial.

### Setting up the principal views

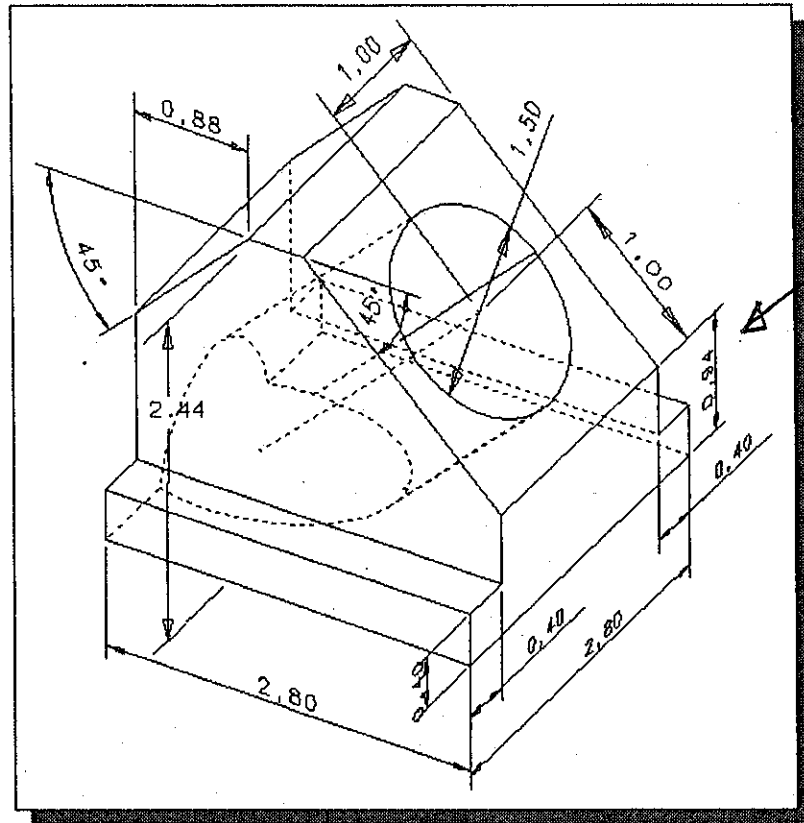


1. In the *Layer Control* box, confirm layer *Construction\_Lines* is set as the *Current Layer*.
2. In the *Status Bar* area, reset the options and turn *ON* the *OSNAP*, *OTRACK*, *LWT*, and *MODEL* options.



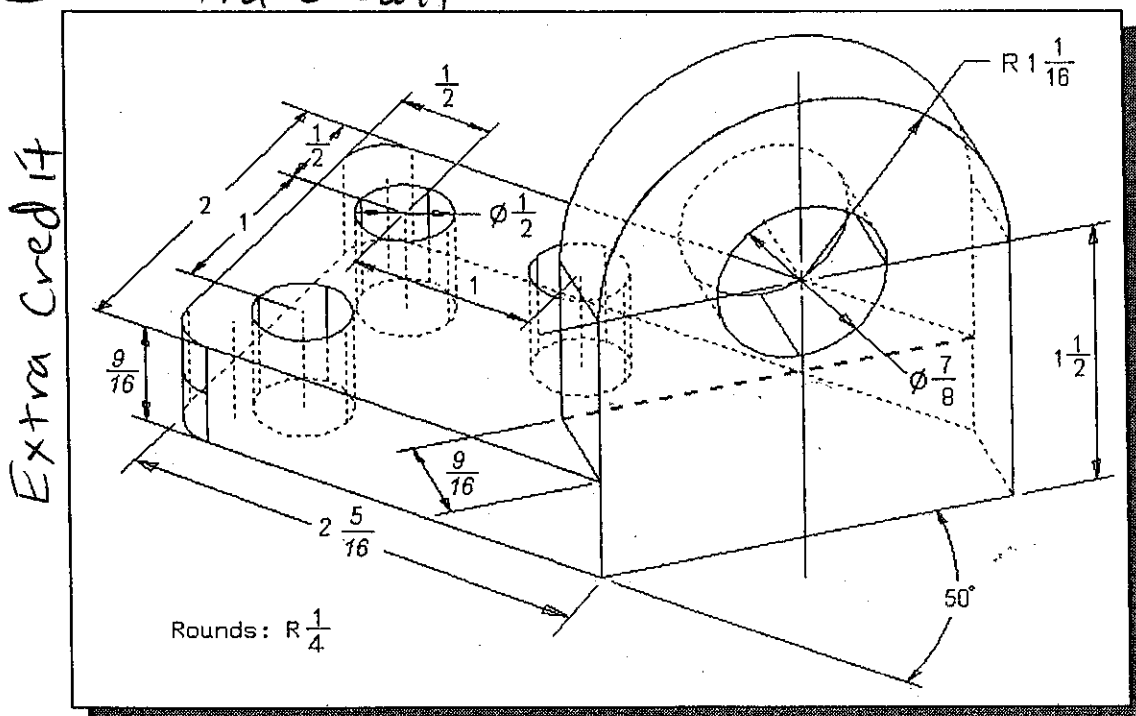
Exercises:

1.



vertical dimension is 0.94

2. → Extra Credit



Extra Credit