

DUE DATE _____

NAME _____

ENGR/DRAFT 105 Assignment #19
AutoCAD: Basic Dimensioning and Notes – Chapter 6

Note: We will be saving a new version of your title block drawing, A1.dwg, after doing the Lesson 6 Tutorial (save your lesson 6 file, then copy it to A1.dwg, and delete the objects other than the title block). This will be your new title block drawing, A1.dwg, which you will copy to the other filenames for Exercises 6_2 and 6_4, and for future assignments. You may also save A1.dwg as A1.dwt, which will be saved as a template file in the AutoCAD template directory. This way, you will save all of your layers and your new “Mechanical” dimension style.

Note that you **WILL** be including dimensions at this time, and for the remainder of the assignments.

- Hard copy of Lesson 6 Tutorial (Include dimensions and notes – my file would be named NA_L6_F04.dwg)
- Hard copy of drawing 6_2 (Include dimensions and notes – my file would be named NA_E6_2_F04.dwg) NOTE: Use 3-digits for decimals; the dimension of 0.63 should really be 0.625 for symmetry.
- Hard copy of drawing 6_4 (Include dimensions and notes – my file would be named NA_E6_4_F04.dwg)

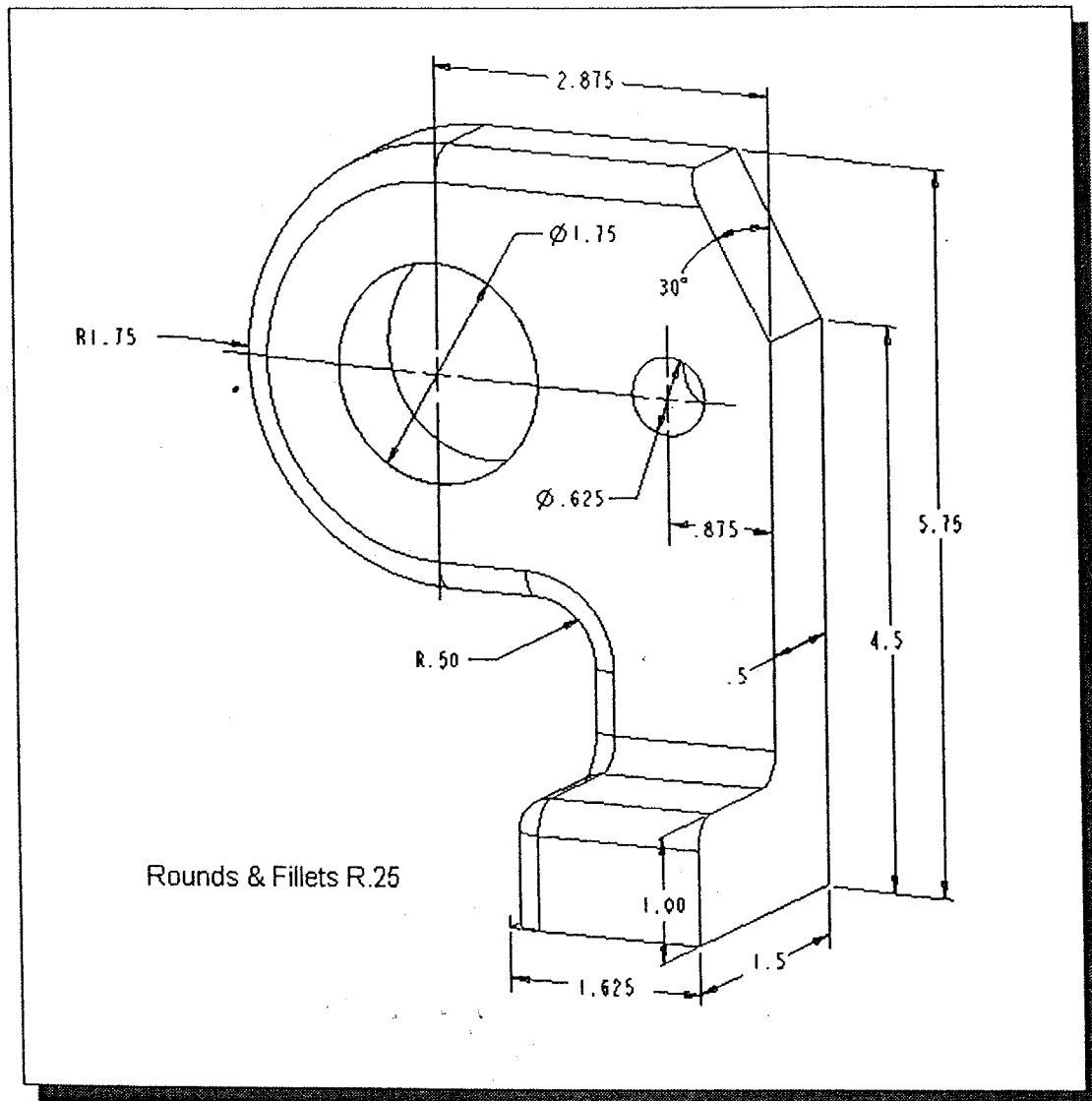
Note: Using a 1:1 (Full) scale, fit the drawings on either an A or B size sheet.

Be sure to include the following (in the title block section) on each AutoCAD drawing:

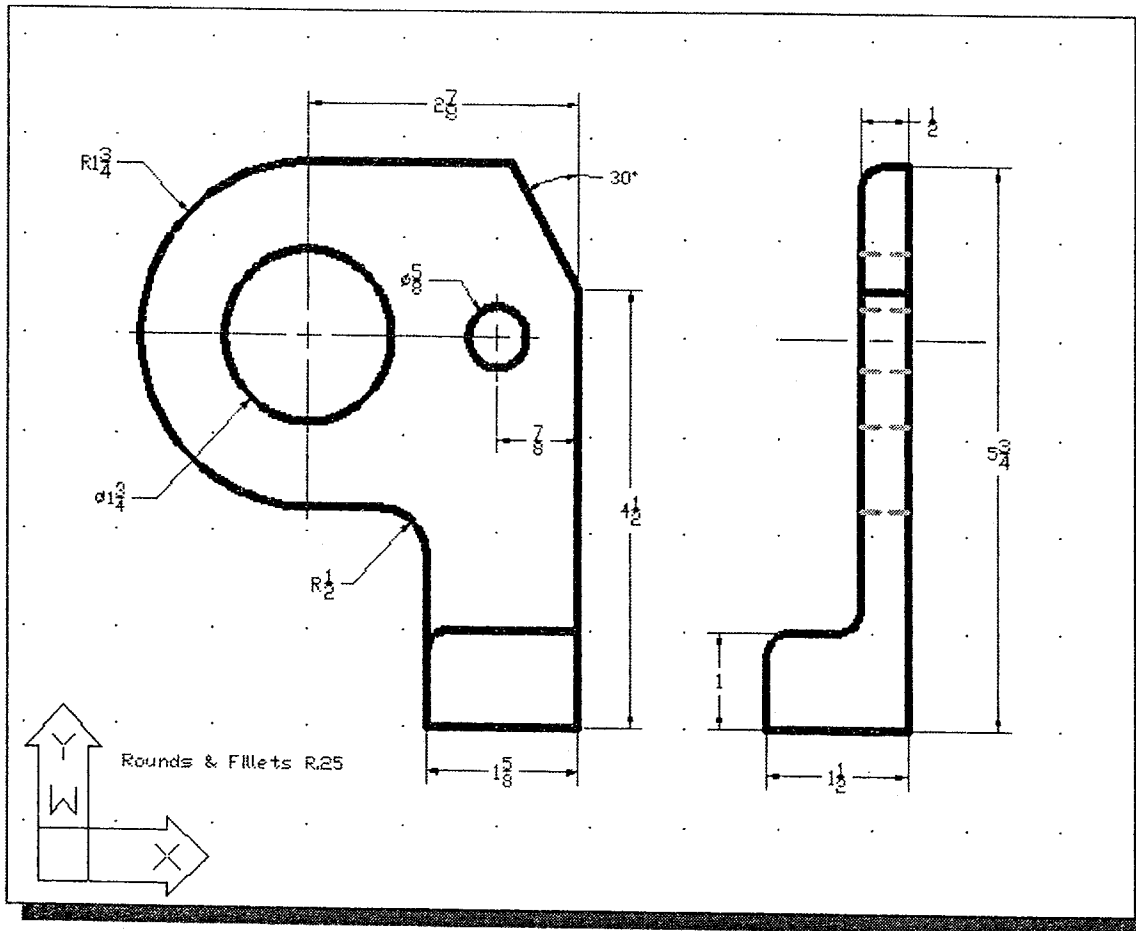
DRAWING TITLE (e.g., BRACKET 6_2)
NAME (YOUR NAME)
FILENAME.dwg (e.g., NA_E6_2_F04.dwg)
Date (e.g., 10/23/04)
Scale (e.g., 1:1)

Staple this sheet to the front of your drawings in the correct order. Write your name at the top of the page. Please staple any 17” x 11” landscape sheets face up, and then fold back the right side to make the packet 8.5” x 11”.

The Bracket Design



- Before going through the tutorial, make a rough sketch of a multiview drawing of the part. How many 2D views will be necessary to fully describe the part? Based on your knowledge of AutoCAD® 2002 so far, how would you arrange and construct these 2D views? Take a few minutes to consider these questions and do preliminary planning by sketching on a piece of paper. You are also encouraged to construct the orthographic views on your own prior to going through the tutorial.



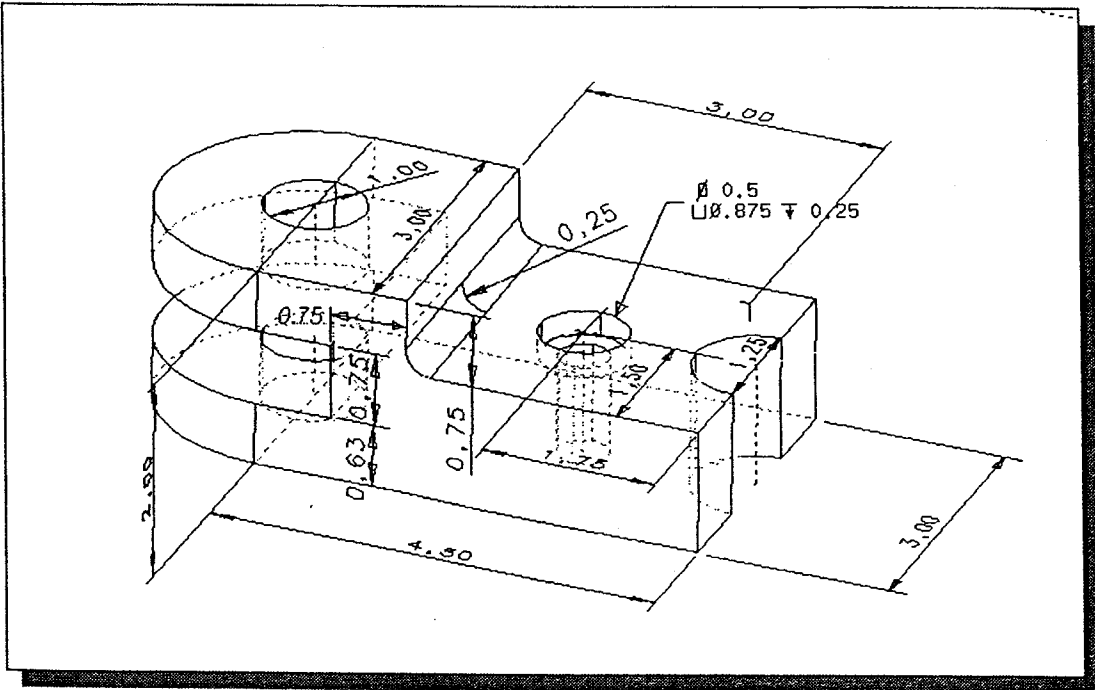
Adding special characters

- We can add special text characters to the dimensioning text and notes. We can type in special characters during any text command and when entering the dimension text. The most common special characters have been given letters to make them easy to remember.

<i>Code</i>	<i>Character</i>	<i>Symbol</i>
%%C	Diameter symbol	Ø
%%D	Degree symbol	°
%%P	Plus/Minus sign	±

- On your own, create notes containing some of the special characters listed.
- On your own, switch on and off different layers to examine the information stored on each layer.

6-2.



6-4.

