

DUE DATE _____

NAME _____

ENGR/DRAFT 105 Assignment #17
AutoCAD: Orthographic Views in Multi-view Drawings – Chapter 5

Copy your drawing A1.dwg to the other filenames for this assignment. Note that you will not be including dimensions at this time.

- Do the Lesson 5 Tutorial and print out a hard copy. (my file would be named NA_L5_F04.dwg)
- Hard copy of drawing 5_1 (my file would be named NA_E5_1_F04.dwg)
- Hard copy of drawing 5_2 (my file would be named NA_E5_2_F04.dwg)

Extra Credit:

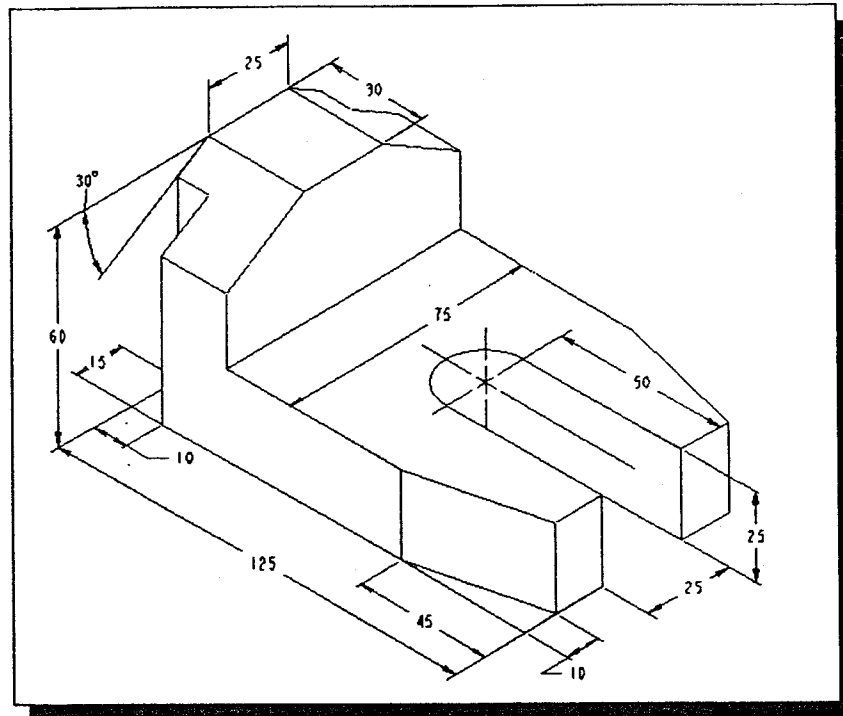
- Hard copy of drawing 5_4 (my file would be named NA_E5_4_F04.dwg)
Note that drawing 5_4 is too large to fit on 11" by 8.5" (A size) paper. Therefore, draw it on 17" by 11" (B size) paper. Drawing 5_4 is also in mm (1" = 2.54 cm = 25.4 mm), so you will need to make a new template, called B1_METRIC.dwg, which includes a Title Block.

Be sure to include the following (in the title block section) on each AutoCAD drawing:

DRAWING TITLE (e.g., WIDGET 5_1)
NAME (YOUR NAME)
FILENAME.dwg (e.g., NA_E5_1_F04.dwg)
Date (e.g., 10/23/04)
Scale (e.g., 1:1)

Staple this sheet to the front of your drawings in the correct order. Write your name at the top of the page. Please staple any 17" x 11" landscape sheets face up, and then fold back the right side to make the packet 8.5" x 11".

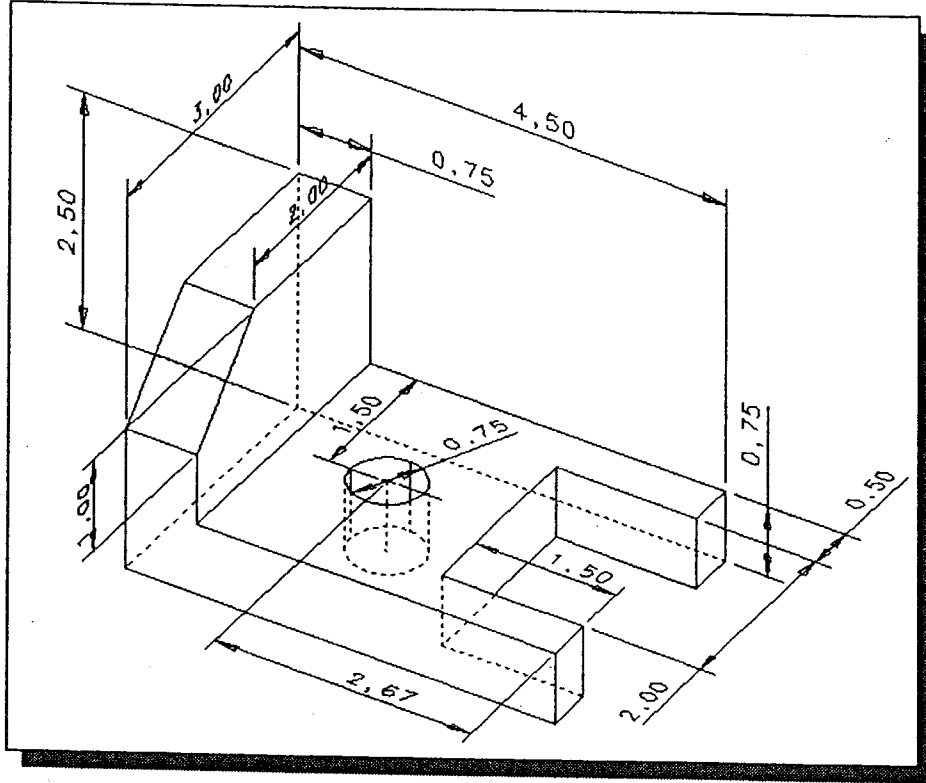
The Locator Part



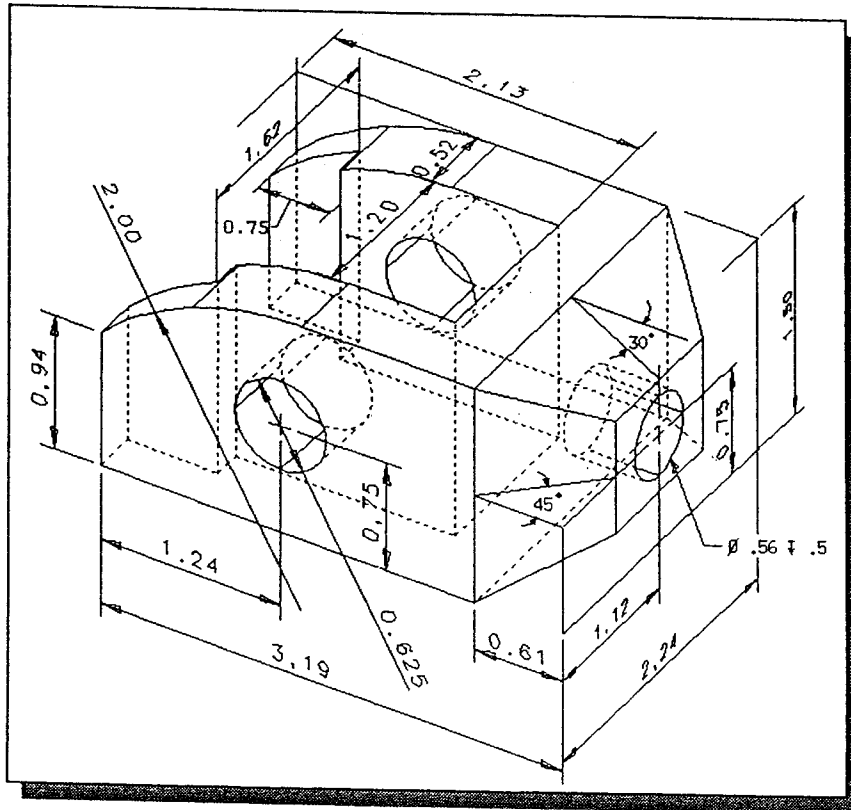
- Before going through the tutorial, make a rough sketch of a multiview drawing of the part. How many 2D views will be necessary to fully describe the part? Based on your knowledge of AutoCAD® 2004 so far, how would you arrange and construct these 2D views? Take a few minutes to consider these questions and do preliminary planning by sketching on a piece of paper. You are also encouraged to construct the orthographic views on your own prior to following through the tutorial.

Exercises: (Unless otherwise specified, dimensions are in inches.)

1.



2.



Extra Credit

4. Dimensions are in Millimeters.

